



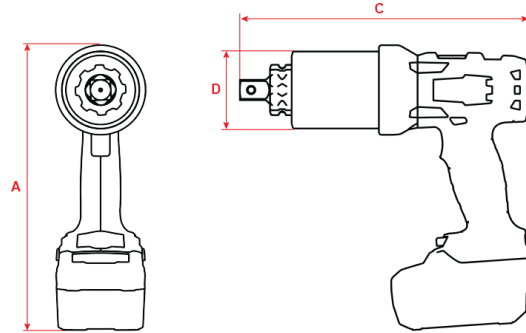
Battery Powered Torque Multiplier

Accurate Cordless Torque Control Up to 8150 NM

- Hardened alloy steel for durability and long cycle life
- Bearings support the loads experienced at the square drive
- Multi-stage planetary gear systems with optimized tooth design
- Smooth ball bearing rotation of the gearbox housing independent from the motor handle
- High-Efficiency Brushless Motor
- Ergonomic glass-filled Nylon handle with a durable slip-resistant over mold
- 18V 8.0 Ah LiHD Battery that provides extended run-time
- LCD display for setting and viewing Torque and Units
- Soft-Start Trigger
- Thrust bearing between stages isolate the motor when used in all orientations
- O-Rings Seal grease in while keeping dirt and water out
- Gears run on low friction, high strength bearing sleeves
- Tool steel pins in each stage carrier



VOLTA – Battery Powered Torque Multiplier



MODEL #	VOLTA 500	VOLTA 1000	VOLTA 2000	VOLTA 3000
Square Drive	3/4"	1"	1"	1"
Min. Torque (Ft/Lbs)	120	240	500	750
Max. Torque (Ft/Lbs)	500	1000	2000	3000
Min. Torque (Nm)	160	330	680	1020
Max. Torque (Nm)	670	1350	2710	4030
Weight w/o Arm & Battery	8.3lbs/3.8kg	11.5lbs/5.2kg	13.1lbs/5.9kg	19.6lbs/8.9kg
Weight w/ Arm & Battery	10.4lbs/4.7kg	14.5lbs/6.6kg	15.9lbs/7.2kg	22.5lbs/10.2kg
RPM @ Min. Torque	12	2	1	0.5
RPM @Max Torque	20	8	5	2
Requirements	Charger Requirements: 110 - 120 V (50-60 Hz) and 230 - 240 V (50-60 Hz)			
Height (A)	264.2mm	264.2mm	264.2mm	264.2mm
Gearbox Diameter (B)	65.0mm	72.4mm	78.5mm	95.3mm
Length (C)	225.0mm	278.6mm	290.8mm	354.1mm

Pinch-Point Avoidance System

Double Trigger Operation Ensures Improved Operator Safety

- Cutting-Edge Internal Brushless Technology
- Every Unit Calibrated In ISO17025 Laboratory
- **All Models Available for Purchase or Hire**





VT-6000 – BIG POWER



Same Cutting Edge Technology with Increased Output

1.5" Square Drive

8150NM (6000FT-LBS) Maximum Output



TEL: +44(0)1912161223
WEB: WWW.POWERBOLTINGSYSTEMS.COM
EMAIL: ENQUIRIES@POWERBOLTINGSYSTEMS.COM

UNIT 2 EDTECH BUSINESS PARK, LOCOMOTION WAY, CAMPERDOWN INDUSTRIAL ESTATE, KILLINGWORTH, NE12 5UP