



Heat Exchanger Plates – Offset Link

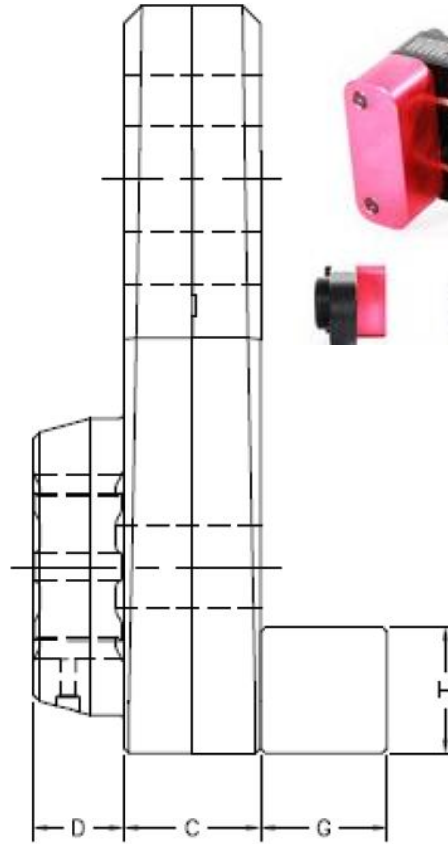
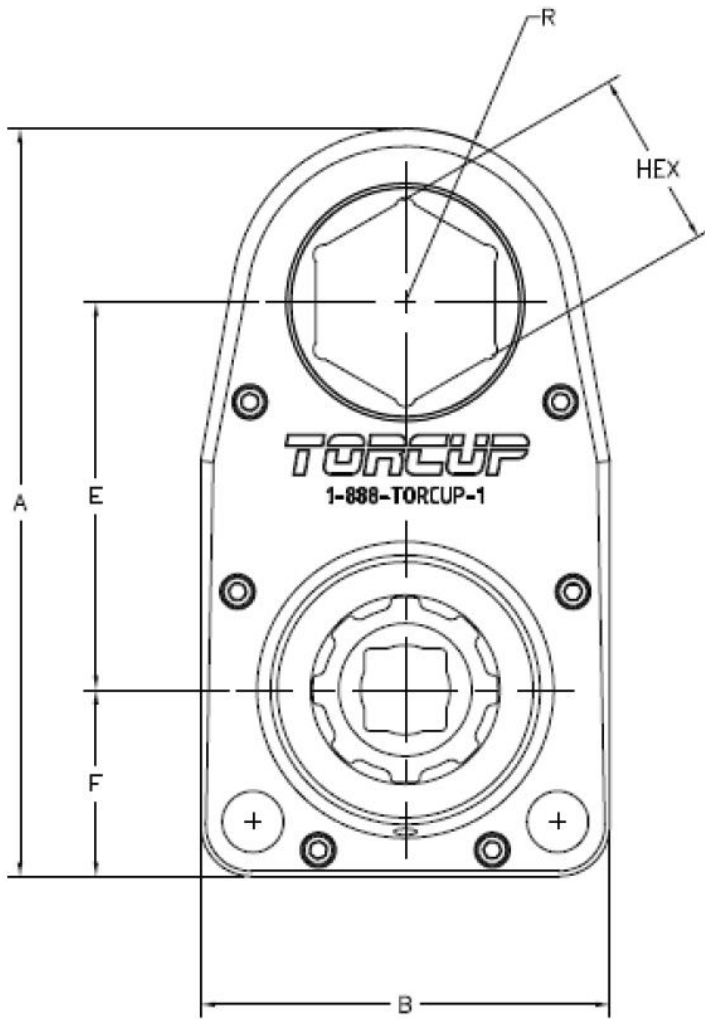
High Speed, Lightweight and Accurate

- Perfect for Heat Exchanger Plates and other applications where Extreme Stud Protrusion is an Issue
- Great for Restricted Access above the nut
- Supplied with Calibration Certificate for Guaranteed Results
- Compatible with All Torcup Multiplier Tooling , VOLTA Battery , RAPTOR Air and STRYK Electric





Powered Multipliers – Offset Link – Heat Exchanger



RAPTOR OR VOLTA 500 / 1000-E6

3/4" SQUARE DRIVE

LINK #	MAX. HEX SIZE	DIMENSIONS: in/mm							
	in (mm)	A	B	C	D	E	F	G & H	R
1	2-3/16 (55)	9.15 (232.4)	5.00 (127)	1.25 (31.8)	.84 (21.3)	4.74 (120.4)	2.28 (57.9)	2.0 (50.8)	2.13 (54.1)
2	3-1/8 (80)	11.80 (299.7)	5.50 (139.7)			6.20 (157.5)	2.81 (71.4)		2.75 (69.9)

RAPTOR OR VOLTA 1000 / 2000 / 3000

1" SQUARE DRIVE

LINK #	MAX. HEX SIZE	DIMENSIONS: in/mm							
	in (mm)	A	B	C	D	E	F	G & H	R
1	2-3/16 (55)	9.15 (232.4)	5.00 (127)	1.67 (42.4)	1.11 (28.2)	4.74 (120.4)	2.28 (57.9)	2.0 (50.8)	2.13 (54.1)
2	3-1/8 (80)	11.80 (299.7)	5.50 (139.7)			6.20 (157.5)	2.81 (71.4)		2.75 (69.9)
3	3-3/4 (95)	12.97 (329.4)	6.25 (158.8)			6.68 (169.7)	3.16 (80.3)		3.13 (79.5)

RAPTOR 6000

1-1/2" SQUARE DRIVE

LINK #	MAX. HEX SIZE	DIMENSIONS: in/mm							
	in (mm)	A	B	C	D	E	F	G & H	R
1	3-3/4 (95)	13.82 (351.0)	6.54 (166.1)	2.38 (60.5)	1.39 (35.3)	7.31 (185.7)	3.24 (82.3)	2.50 (63.5)	3.27 (83.1)